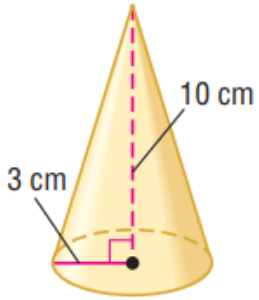


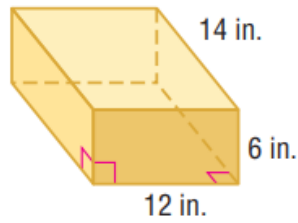
1. Find the surface area and volume.



Name of solid:

$S =$   $V =$

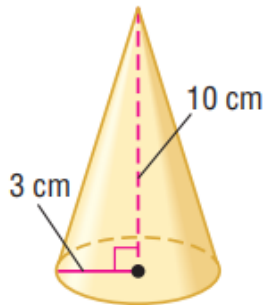
2. Find the surface area and volume.



Name of solid:

$S =$   $V =$

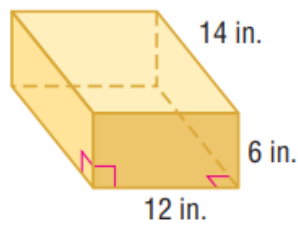
1. Find the surface area and volume.



Name of solid:

$S =$   $V =$

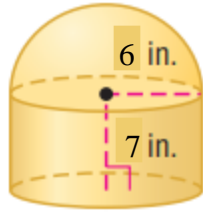
2. Find the surface area and volume.



Name of solid:

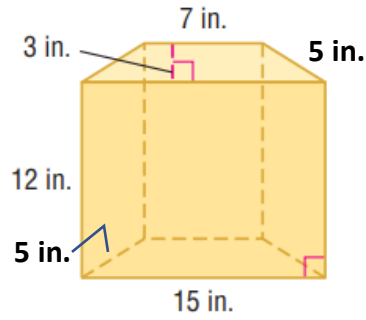
$S =$   $V =$

3. Find the volume of the solid.



V =

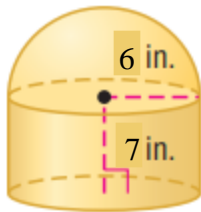
4. Find the surface area and volume.



Name of solid:

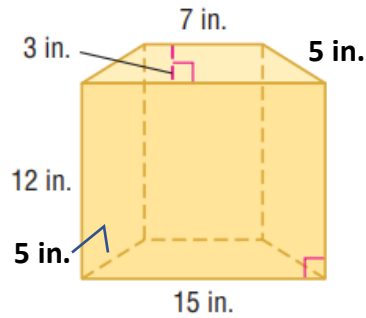
S =                      V =

3. Find the volume of the solid.



V =

4. Find the surface area and volume.



Name of solid:

S =                      V =